

White 54cm freestanding cooker with conventional oven, piezo ignition, separate gas grill, flame failure and 4 burner gas hob. LP conversion kit included.



Product Details

FEATURES

Class-leading capacity
With 80L gross oven capacity, you can entertain guests and cook big family meals with absolute ease.

Handy separate grill
Now you can grill and bake at the same time while keeping different cooking flavours and smells apart.

Flame failure feature
A safety mechanism that stops the gas flow if the flame is extinguished

Easy-clean convenience
Save time and elbow grease with specially formed shelf supports and acid-resistant enamel. Plus, the new removable glass door system allows for quick and easy cleaning and no trapped grease. With a Chef freestanding cooker, a simple wipe clean is all you need.

Sleek enamel surface
Enjoy a sparkling finish every time. With supreme durability on external surfaces, you can be assured your stove will look good for years to come.

BENEFITS

Class-leading capacity
Chef freestanding cookers have one of the largest cooking cavities and an 80L gross oven capacity for all your family meals. Plus, the separate grilling compartment means you can entertain guests and cook big family meals with absolute ease.

Easy clean convenience
Save time and effort with easy clean features such as the removable glass door system. This allows for quick and easy cleaning with no trapped grease. The specially formed shelf supports and acid-resistant enamel also allow for a simple wipe clean.

Built in Australia
Chef has been part of Australian homes for generations and the kitchen appliance brand we have always known and trusted to build reliable products. This oven is built in a local factory in Adelaide.

Specifications

PRODUCT PROFILE

Domestic warranty details (yrs)	2
Oven fuel	gas
Materials/Colour	white enamel
Controls of Oven	control knob
Cooling fan	No
Plinth colour (kickboard)	white
Anti tilt plate	Yes
Swept up hob	No
Built in/ slot in	No
Front/rear controls	front
Warming drawer	No
Storage drawer	No

MAIN OVEN

DIMENSIONS

PRODUCT DIMENSION

Total height (mm)	910
Total width (mm)	540
Total depth (mm)	635

SECOND OVEN OR GRILL

MAIN OVEN

Gross capacity litres	80
Useable capacity litres	77
Oven function	conventional
Oven liner	enamel
Layers of glass in door	2
Shelf support	easy clean formed shelf supports
Number of shelves	2
Number of shelf positions	5
Safety features	cool door, flame failure safety device

ELECTRICAL CONNECTION

Connected load KW	0
Type of connection	not required

SHIPPING

Shipping Volume (m3)	0.432
----------------------	-------

SECOND OVEN OR GRILL

Fold down grill element	No
Closed door grilling	No
Shelf support	side rack
Number of shelves	1
Number of shelf positions	2

GAS SPECIFICATIONS

Maximum gas rating (NG)	58.7
Maximum gas rating (LP)	56.5

COOKTOP (IF APPLICABLE)

PRODUCT PROFILE

SHIPPING

Shipping Weight (Kg)	42.5
Pack Dimensions Height (mm)	1025
Pack Dimension Width (mm)	580
Pack Dimension Depth (mm)	726

ELEMENTS/BURNERS

Cooking zones	4
---------------	---

FEATURES

Trivets	enamel
Ignition type	manual

ELECTRICAL CONNECTION

Type of connection of Cooktop	not required
-------------------------------	--------------

Cook top type	gas
Materials/Colour	white enamel
Trim finish	white enamel
Removable trim (for cleaning)	No
Wok included designed to fit cooktop	No
Knob finish	white

LEFT REAR ZONE

Left rear zone	semi-rapid
----------------	------------

CONTROLS

Position of controls	front
----------------------	-------

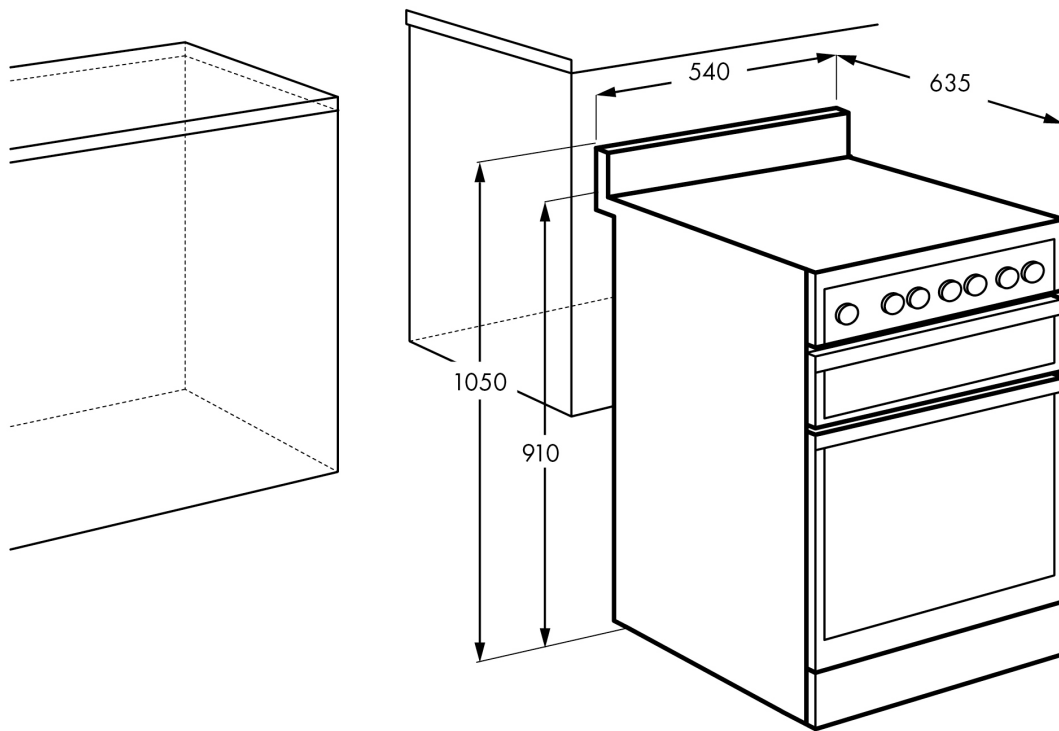
GAS SPECIFICATIONS

Maximum gas rating (NG)	58.1
-------------------------	------

Dimensions

IMPORTANT

These dimensions are a guide only. All measurements are in millimetres (mm).
For complete installation instructions, refer to the manual provided with product.



Terms and Conditions

IMPORTANT

This is a guide of product dimensions only. For complete installation instructions, refer to the manual provided with product.

PRODUCT INFORMATION

The descriptors and illustrations in this publication apply to the specific products and models described as at the date of issue. Under our policy of continuous product development, product specifications may change without notice. Prospective purchasers should therefore check with their retailer to ensure this publication correctly describes the products that are being offered for sale. All information supplied is to be used for general reference purposes only and is on the understanding that Electrolux Home Products Pty Ltd (Australia) and Electrolux (NZ) Ltd (New Zealand) will not be liable for any loss, liability or damage of whatever kind arising as a result of reliance on such information. Colours of products illustrated are as close as printing limitations allow. Electrolux will at all times comply with its obligations pursuant to law including Trade Practices (Australian Consumer Law) Act and Regulations.

WARRANTY

This warranty only applies to Appliances purchased and used in Australia or New Zealand and used in normal domestic applications and is in addition to (and does not exclude, restrict, or modify in any way) any non-excludable statutory warranties in Australia or New Zealand. All warranties are subject to the conditions set out in the warranty card accompanying the product when purchased.

ELECTROLUX HOME PRODUCTS AUSTRALIA

telephone: 1300 363 640

fax: 1800 350 067

email: customercare@electrolux.com.au

web: www.electrolux.com.au

ELECTROLUX HOME PRODUCTS NEW ZEALAND

telephone: 09 573 2230

fax: 09 573 2221

email: customercare@electrolux.co.nz

web: www.electrolux.co.nz